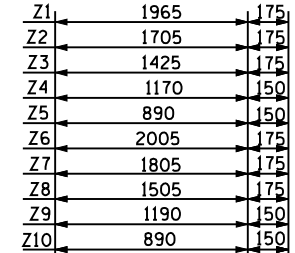
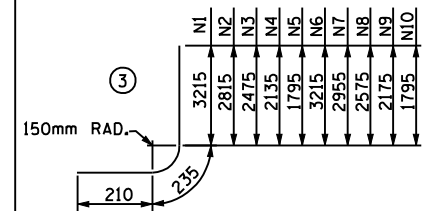
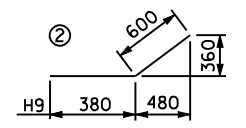
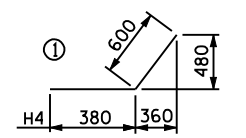


BAR TYPES

ALL BAR DIMENSIONS ARE OUT TO OUT.



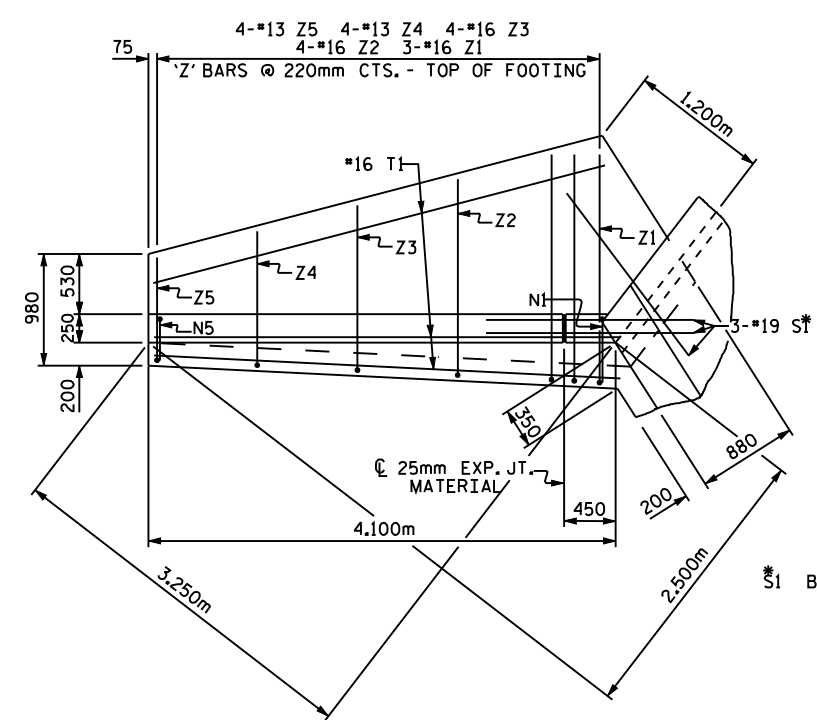
BILL OF MATERIAL

BAR NO.	SIZE	TYPE	LENGTH	WEIGHT
H1	16	STR	3540	56
H2	4	STR	2940	12
H3	4	STR	1780	7
H4	32	STR	980	31
H5	4	STR	3780	15
H6	16	STR	4840	77
H7	4	STR	4080	16
H8	4	STR	2540	10
H9	32	STR	980	31
H10	4	STR	5040	20
N1	4	STR	3660	33
N2	10	STR	3260	73
N3	8	STR	2920	36
N4	8	STR	2580	32
N5	8	STR	2240	18
N6	6	STR	3660	49
N7	8	STR	3400	61
N8	12	STR	3020	56
N9	12	STR	2620	49
N10	12	STR	2240	27
S1	12	STR	1800	48
T1	6	STR	4100	38
T2	6	STR	5400	50
V1	4	STR	3040	12
V2	6	STR	2640	16
V3	4	STR	2300	9
V4	4	STR	1960	8
V5	4	STR	1620	6
V6	4	STR	3080	12
V7	6	STR	2780	17
V8	6	STR	2400	14
V9	6	STR	2000	12
V10	6	STR	1620	10
Z1	6	STR	2140	20
Z2	8	STR	1880	23
Z3	8	STR	1600	20
Z4	8	STR	1320	10
Z5	8	STR	1040	8
Z6	6	STR	2180	20
Z7	8	STR	1980	25
Z8	12	STR	1680	31
Z9	12	STR	1340	16
Z10	12	STR	1040	12

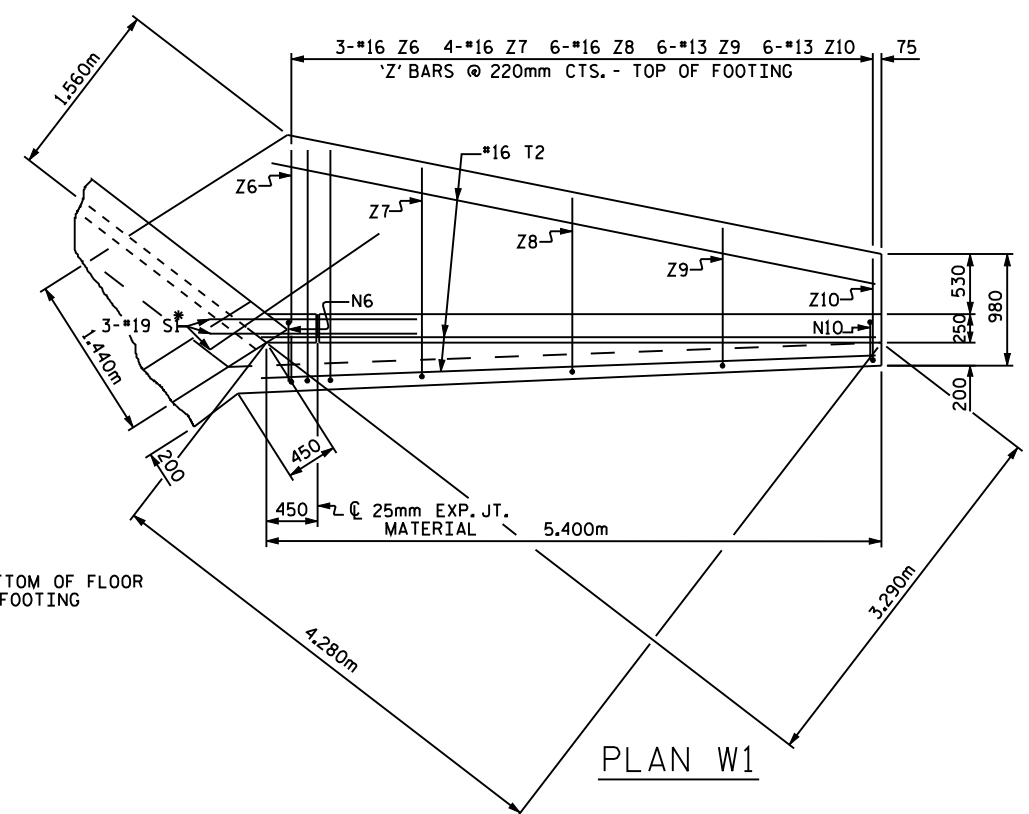
REINFORCING STEEL FOR 4 WING WALLS 1146 kg

CLASS A CONCRETE

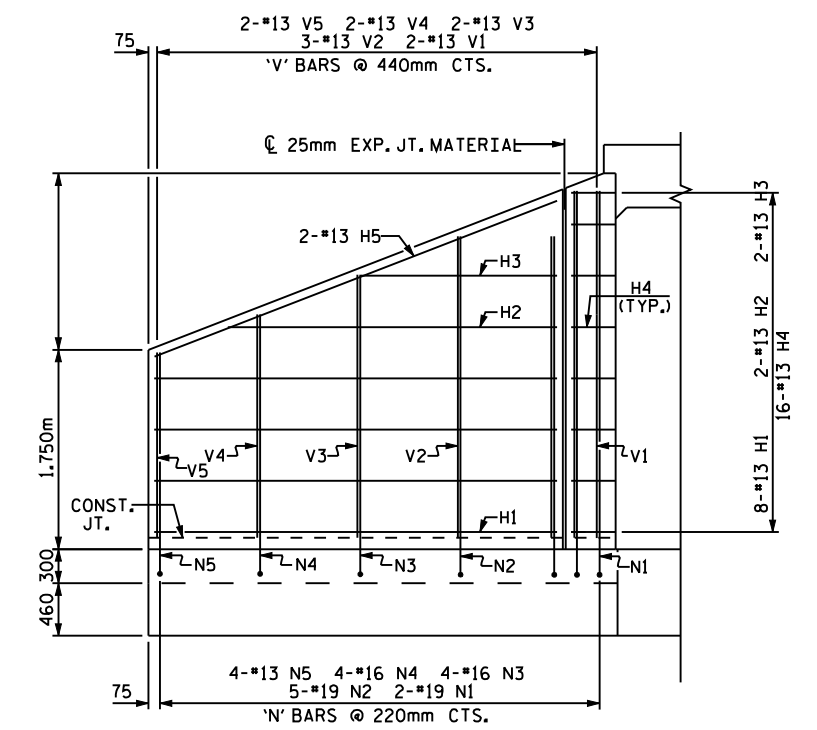
4 WINGS	23.8	m <sup>3</sup>
2 HEADWALLS		m <sup>3</sup>
2 END CURTAIN WALLS		m <sup>3</sup>
TOTAL		m <sup>3</sup>



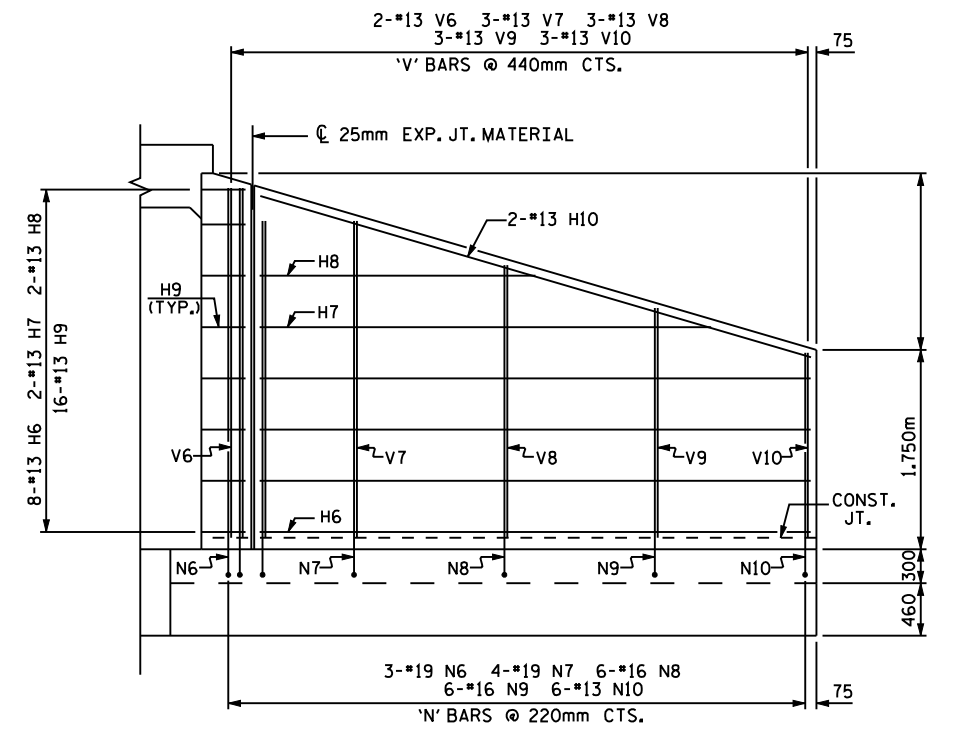
PLAN W2



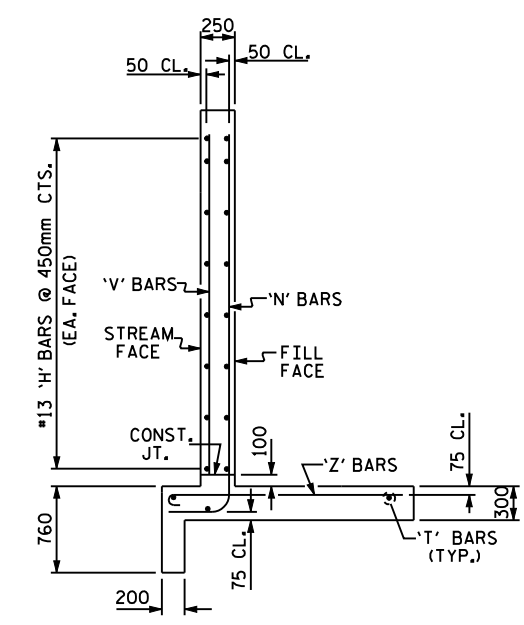
PLAN W1



ELEVATION W2



ELEVATION W1



TYPICAL WING SECTION

FOR WING ORIENTATION, SEE BARREL STANDARD SHEET.

PROJECT NO. \_\_\_\_\_  
 COUNTY \_\_\_\_\_  
 STATION: \_\_\_\_\_

SHEET OF \_\_\_\_\_  
 STATE OF NORTH CAROLINA  
 DEPARTMENT OF TRANSPORTATION  
 RALEIGH  
 STANDARD WINGS  
 FOR  
 CONCRETE BOX CULVERT  
 H=3.000m SLOPE=2:1  
 75° OR 105° SKEW

ASSEMBLED BY :	DATE :
CHECKED BY :	DATE :
DRAWN BY : JLR 6/97	
CHECKED BY : VAP 6/97	

REVISIONS					SHEET NO.
NO.	BY:	DATE:	NO.	BY:	DATE:
1			3		
2			4		